

1200D Series

SELF-CONTAINED
STROBE BEACON



Change flash patterns on the go with optional 800DCTRL.

The original Whelen 1200 Strobe beacon, introduced in 1968, pioneered a new standard in automotive warning.

Equipped with a NEW high profile, high-gain, aerodynamic, self-cleaning dome, and producing a full 25 watts of output power (36 watts input), this model offers increased illumination of the dome surface.



All Whelen Products are proudly designed and manufactured in the U.S.A.*



Available in all 5 safety colors

Form# 12000407

FEATURES

- NEW high-gain, self-cleaning, aerodynamic high profile dome.
- 36 watt input / 25 watt output.
- Choice of four flash patterns standard in every model: CometFlash®, Double Flash, Rapid Rate™ and Action Flash™.*
- Built-in exclusive Photo Sensor (selectable use) via automatic intensity control or automatic on/off operation.
- Manual Hi/low intensity control via external switch.
- Real-Time Diagnostix™, when used with optional 800DCTRL switch assembly.*
- AMECA Certified to S.A.E. and California Title XIII requirements.
- 25 watts output power.
- Double fresnel optic lens provides excellent 360° light dispersion.
- High profile, 8-1/2" tall.
- Dual voltage 12/24VDC power supply, includes circuits that protect against reverse polarity damage and flash tube ionization.
- Patented clamp circuit prevents power supply damage in the event of flash tube failure.
- Polished, cast aluminum base offers permanent and 1" NPT pipe mounting. Tamper-resistant spade mount and magnetic mount models are also available.
- Five year, Heavy Duty Professional Warranty on power supply; two year warranty on Gold Medallion flash tube.*
- Optional 800DCTRL, four pattern beacon controller with High/Off/Low intensity switch and diagnostic LED Indicator.

WHELEN®
Engineers for the Emergency Warning Industry

1200D SERIES STROBE BEACON

1200D SERIES SPECIFICATIONS



Shatterproof, polycarbonate lens with double fresnel optic design, provides excellent 360° light dispersion.

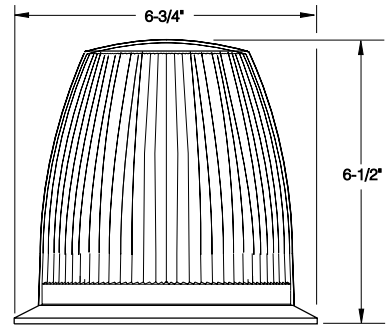
1200D Series Strobe Beacons are modular and easily field serviced via Amp Mate-N-Lok™ connectors (no cutting of wires), minimizing equipment downtime.

New three pin, plug-in flash tube assembly is secured in place with two retaining screws for added vibration resistance.

Fully enclosed, polished cast aluminum base for heavy duty applications, offers choice of permanent and 1" NPT pipe mounting. Tamper-resistant spade mount and magnetic mount* models are also available.

Easy to install with a two wire connection, 1200D Series strobe beacons are shipped preset for the CometFlash® flash pattern and high intensity operation. Internal connectors provide plug-in access to many added operational features using Model 800DCTRL Controller.

New "heavy duty" silicone potted circuit boards maximize vibration and moisture resistance while allowing for the units to be economically repaired.



New Aerodynamic Dome



ELECTRICAL AND PHYSICAL DATA

Input Voltage	2.8 VDC / 25.6 VDC
Input Current.....	2.8 amps / 1.4 amps
Input Power	36 Watts
Output Power	25 Watts
Output Energy.....	18.5 joules
	9.5 / 3 / 3 / 3 joules ¹
Effective Candle Power.....	650 Candella ²
Flashrate	
Comet Flash®	80 FPM
Double Flash	115 FPM
Rapid Rate™	185 FPM
Action Flash™	1 CF - 4 RRF ³
Operating Temperature	-30°F (-34°C) to +120°F (49°C)
Weight.....	3 lbs., 5 oz. (2.4 kg)

1. CometFlash Pattern.
2. Measured in clear. For peak candlepower, multiply by 13,500.
3. Action Flash™ is a combination pattern that repeats one CometFlash and four Rapid Rate™ Flashes.

MODELS

1200DH*P	High Dome, Permanent/Pipe Mount
1200DH*S	High Dome, Spade Bolt Mount
1200DH*M	High Dome, Magnetic Mount*

*Replace symbol in model number with letter indicating lens color desired:
A=Amber; B=Blue; C=Clear; R=Red; G=Green; S=Split Dome.

OPTIONS

80CRUZ12	12VDC Cruise Light
80CRUZ24	24VDC Cruise Light
WBGH	High Dome Branch Guard
WDCH	Clear Dust Cover for High Dome
WBC.....	Bungee Cord with Hooks
WSLM	Self-leveling Mount
WSS.....	Sun Shade
WMMK	Magnetic Mount and Cigar Plug Kit
800DCTRL	Four Pattern Beacon Controller with High/Off/Low Intensity Switch and Diagnostic Indicator
PSW1	Hi/Off/Low Switch Assembly

Due to variations in vehicle surfaces and operating conditions, the use of any magnetic mounted warning beacon on the vehicle while in motion is at the discretion and risk of the user.



Route 145, Winthrop Road
Chester, Connecticut 06412-0684
(860) 526-9504 • Fax: (860) 526-4078
Internet: www.whelen.com



Whelen Engineering reserves the right to upgrade and improve products without notice.

© 2007 Whelen Engineering Company, Inc. Printed in U.S.A.
Code No.10504-0407

* Some back-up alarms are custom made for Whelen in Canada.