

L40 Series

SUPER-LED® BEACONS

At Whelen Engineering, we offer only SAE Class 1 beacons because our customers deserve the performance and safety features not found in second class products. All Whelen, Class 1 and Title XIII high intensity, quality lighting systems are built and backed by our commitment to your safety.



L40 Series beacons are certified SAE Class 1 and California Title XIII with 25 flash patterns. Ultra High Intensity LED technology rivals strobe in intensity and draws far less power. LED light source has a rated life that exceeds that of strobe flash tubes by more than 50:1



FEATURES

- SAE Class 1 certified beacon. L41 meets Class 1 and L40 meets Class 1 and California Title XIII (amber).
- Medium profile, smooth outer dome, universal application.
- Encapsulated electronics for moisture and vibration resistance.
- 50,000 hour rated life.
- Zero EMI radiation.
- Low current draw:
L40: 12V - peak 2.0A / avg. 0.8A.
24V - peak 1.0A / avg. 0.4A.
L41: 12V - peak 1.5A / avg. 0.6A.
24V - peak 0.75A / avg. 0.3A.
- LED beacon design features 75 SignalAlert™ flashes per minute, standard.
- Permanent mount model allows for permanent flat mount, J-Hook mount, or 1" NPT pipe mounting. Supplied with five wire, 6" pigtail (Hi/Low, Scan-Lock™ and sync wire).
- Magnetic and magnetic/suction mount models supplied with 10' straight cord and cigar plug with LED indicator On/Off switch plus pattern control switch.
- 25 total selectable flash patterns (including steady-burn).

- Polycarbonate dome.
- Cast aluminum powder coated base.
- Permanent mount available with photocell Hi/Low – contact factory.
- 12/24 VDC operation.
- Five-year HDP® Heavy-Duty Professional warranty.
- Weight: 1.8 lbs. (.82kg).

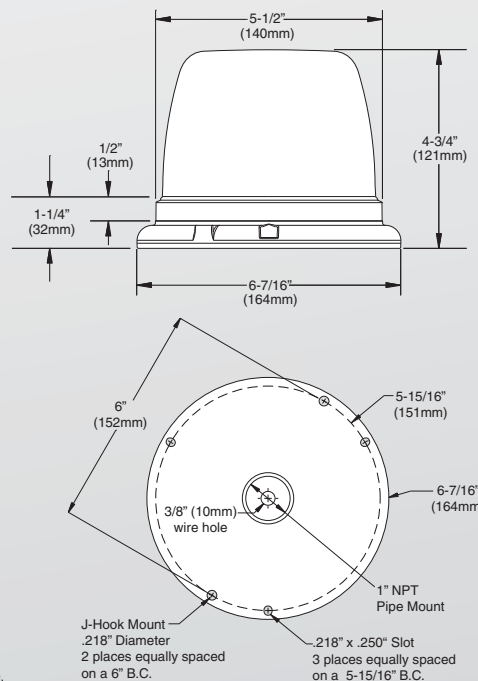
MODELS

- L40, Class 1 & Title XIII Models**
- L40*PPerm/pipe mount
 - L40*M.....Magnetic mount
 - L40*VMagnetic/suction mount
- L41, Class 1 Models**
- L41*PPerm/pipe mount
 - L41*M.....Magnetic mount
 - L41*VMagnetic/suction mount

Replace (*) in model number with letter indicating color choice:
A = Amber, B = Blue, C = White, R = Red.

OPTIONS

- BBKT20Stainless steel shelf mount bracket
- MIRROR20.....Stainless steel West Coast mirror mount bracket
- L40BG.....Branch guard



Whelen Engineering reserves the right to upgrade and improve products without notice.
© 2010 Whelen Engineering Company, Inc. Printed in U.S.A.
NASCAR® is a registered trademark of the National Association for Stock Car Auto Racing, Inc.
Code No. 1240BA - 09/10

WHELEN®
ENGINEERING COMPANY, INC.

51 Winthrop Road
Chester, Connecticut 06412-0684
(860) 526-9504 • Fax: (860) 526-4078
www.whelen.com