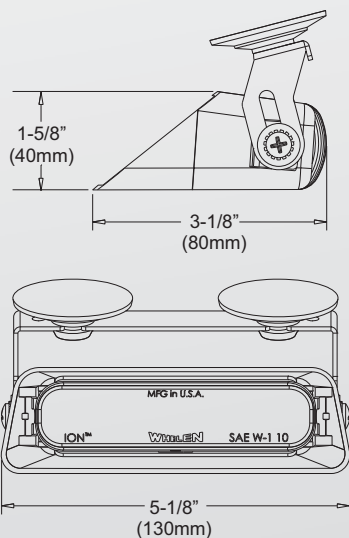


# SpitFire™ ION™

**SUPER-LED® DASH LIGHT**



*SpitFire ION is a super-tough, low profile dash light that's packed with power and performance features. Built for the long haul, SpitFire ION is the trusted sidekick you'll take with you from vehicle to vehicle.*



## FEATURES

- Compact, full feature Super-LED dash light.
- Single and split colors, standard.
- 25 Scan-Lock™ flash patterns for single color lights. 69 flash patterns for split color lights.
- Fully encapsulated electronics provide full moisture and vibration resistance.
- Molded polycarbonate integral hood with bail bracket and two suction cups for mounting.
- Eight foot straight cord Cigar Plug with On/Off selection and pattern control switch.
- 12 VDC.
- Five-Year HDP® Heavy-Duty Professional warranty.
- Size: 1-5/8" (40mm) H x 3-1/8" (80mm) D x 5-1/8" (130mm) L.

## MODELS

- SFION\*** .....Red, blue, amber or white.
- SFION#** .....Split red, blue, amber or white.

\* Replace asterisks in model number with LED color desired:  
**A** = Amber; **B** = Blue; **C** = White; **R** = Red.

# Replace asterisks in model number with split LED colors desired:  
**J** = Red/Blue; **D** = Red/White;  
**E** = Blue/White; **M** = Amber/Blue.



Whelen Engineering reserves the right to upgrade and improve products without notice.  
 © 2011 Whelen Engineering Company, Inc. Printed in U.S.A.  
 NASCAR® is a registered trademark of the National Association for Stock Car Auto Racing, Inc.  
 Code No. 12456A - 04/11

**WHELEN®**  
 ENGINEERING COMPANY, INC.

51 Winthrop Road  
 Chester, Connecticut 06412-0684  
 (860) 526-9504 • Fax: (860) 526-4078  
 www.whelen.com